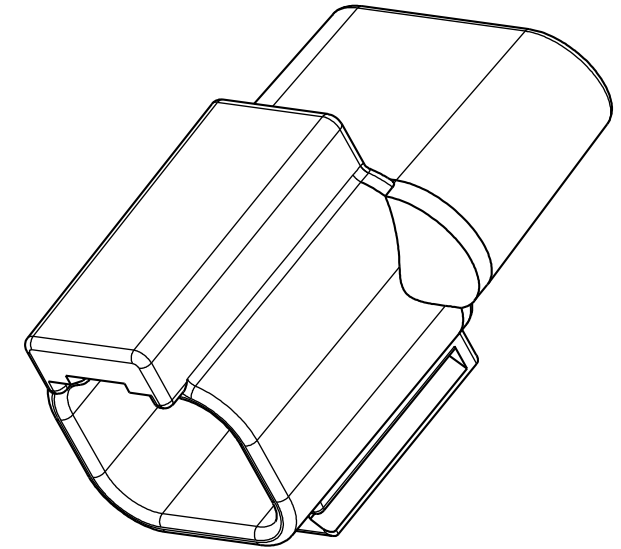
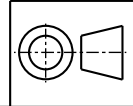
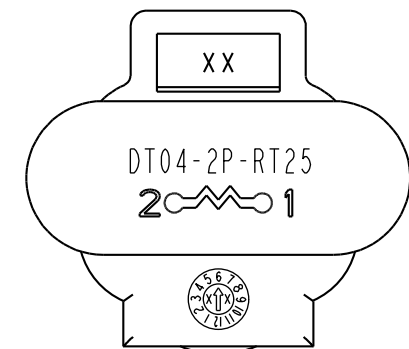
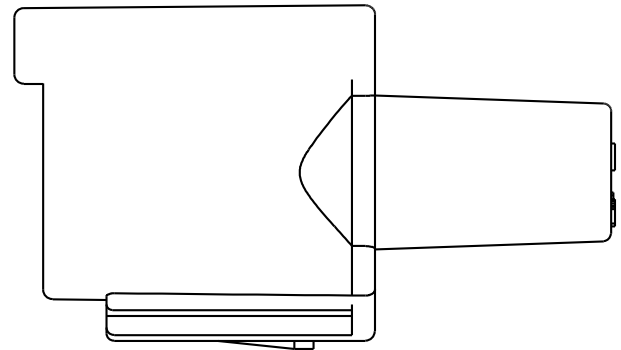
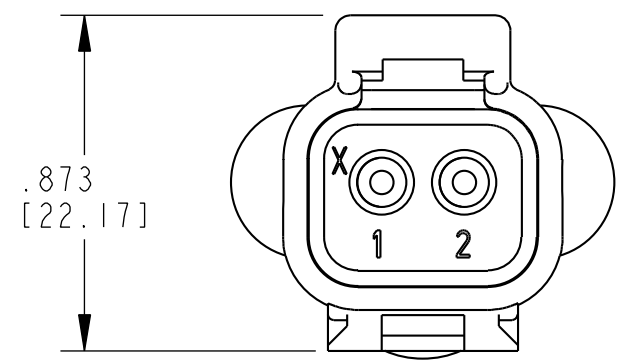
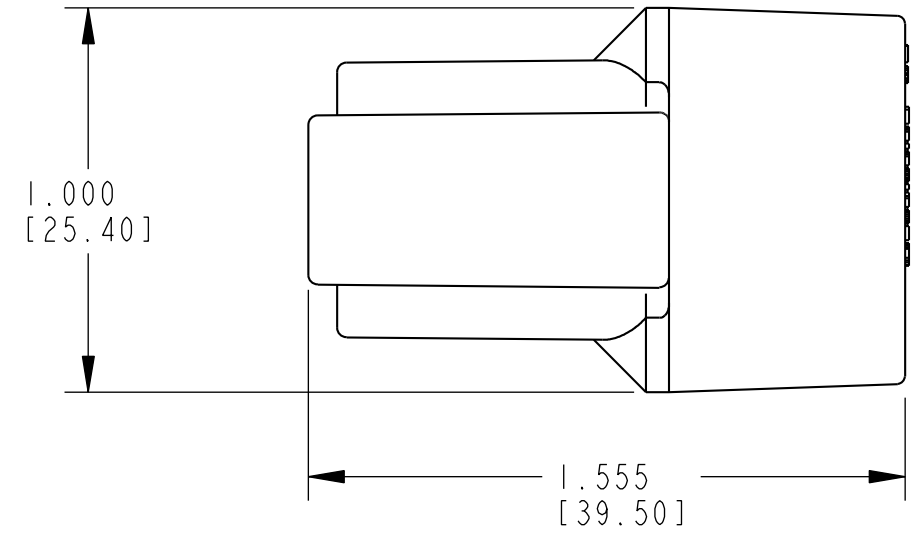


REV  
**B** DT04-2P-RT25

| REVISIONS |                             |         |          |
|-----------|-----------------------------|---------|----------|
| SYM       | DESCRIPTION                 | DATE    | APPROVED |
| NC        | NEW RELEASE PER E.O. PI8171 | 5/28/03 | RDR      |
| A         | REVISION PER E.O. PI9162    | 3/15/06 | RDR      |
| B         | REVISED PER ECO-13-004414   | 3/11/13 | D.M.     |
|           |                             |         |          |



3D VIEW




- NOTES:
1. ALL DIMENSIONS ARE IN INCHES [MILLIMETERS].
  2. DIMENSION TOLERANCE  $\pm .025$  [.64].
  3. RECEPTACLE MATES WITH DT06-2S-\*\*\*\*. (\*\*\*\*) = ALL MODIFICATIONS.
  4. TEMPERATURE RANGE: -55°C TO +125°C.
  5. SHELL MATERIAL: PLASTIC; COLOR: BLACK
  6. RESISTOR 27k OHMS 1/2 WATT 1% TOLERANCE.

| SIGNATURE & DATE |                   |
|------------------|-------------------|
| DR               | P. BURKE 05/23/03 |
| CHK              | K. McKEE 3/11/13  |
| PE               | K. McKEE 3/11/13  |
|                  |                   |
| APPD             | D. MEYER 3/11/13  |
| SCALE            | NONE              |
| WT               | _____             |

**2 WAY RECEPTACLE  
1/2 WATT 1% TOLERANCE  
27k OHM RESISTOR  
DT SERIES**

ENVELOPE

|   |                       |
|---|-----------------------|
| EP  | MATL. CODE            |
|  3850 INDUSTRIAL AVE.<br>HEMET, CA 92545 |                       |
| <b>B</b>  | <b>DT04-2P-RT25</b>   |
| DWG SIZE  | CODE 11139 SHEET   OF |